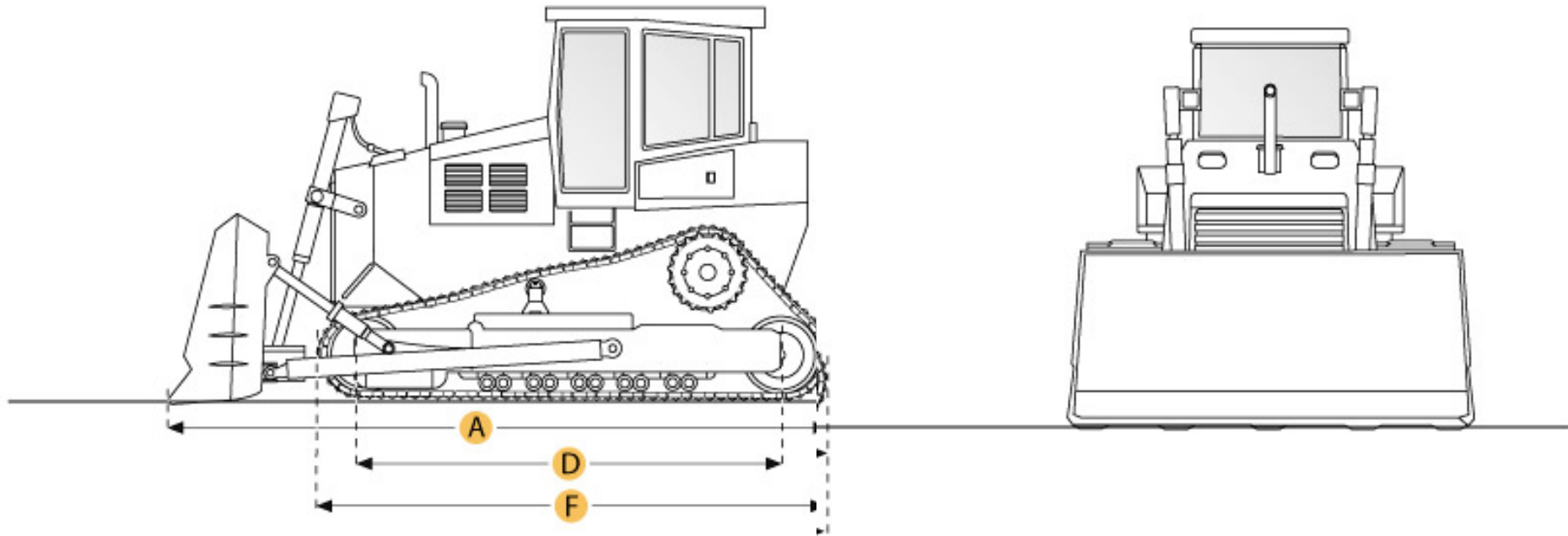


CATERPILLAR D6H LGP SERIES II CRAWLER TRACTOR



Selected Dimensions

Dimensions

| | | |
|------------------------------|------------|---------|
| A. LENGTH W / BLADE | 17 ft in | 5180 mm |
| B. WIDTH OVER TRACKS | 10.3 ft in | 3140 mm |
| C. HEIGHT TO TOP OF CAB | 10.4 ft in | 3160 mm |
| D. LENGTH OF TRACK ON GROUND | 10.7 ft in | 3270 mm |
| E. GROUND CLEARANCE | 1.3 ft in | 382 mm |
| F. LENGTH W/O BLADE | 14.7 ft in | 4490 mm |

Undercarriage

| | | |
|-----------------------|-----------|---------|
| G. TRACK GAUGE | 7.3 ft in | 2230 mm |
| H. STANDARD SHOE SIZE | 36 in | 915 mm |

Specification

Engine

| | | |
|--------------|-------------|----------|
| MAKE | Caterpillar | |
| MODEL | 3306 | |
| GROSS POWER | 170 hp | 126.8 kw |
| DISPLACEMENT | 640.7 cu in | 10.5 L |

Operational

| | | |
|------------------|------------|----------|
| OPERATING WEIGHT | 43682.4 lb | 19814 kg |
| FUEL CAPACITY | 89 gal | 337 L |

Transmission

| | | |
|-------------------------|------------|-----------|
| TYPE | powershift | |
| NUMBER OF FORWARD GEARS | 3 | |
| NUMBER OF REVERSE GEARS | 3 | |
| MAX SPEED - FORWARD | 7 mph | 11.3 km/h |
| MAX SPEED - REVERSE | 8.9 mph | 14.4 km/h |

Undercarriage

| | | |
|----------------------------------|------------------------|------------------|
| GROUND PRESSURE | 4.7 psi | 32.5 kPa |
| GROUND CONTACT AREA | 9253.5 in ² | 6 m ² |
| STANDARD SHOE SIZE | 36 in | 915 mm |
| NUMBER OF TRACK ROLLERS PER SIDE | 8 | |
| TRACK GAUGE | 7.3 ft in | 2230 mm |

